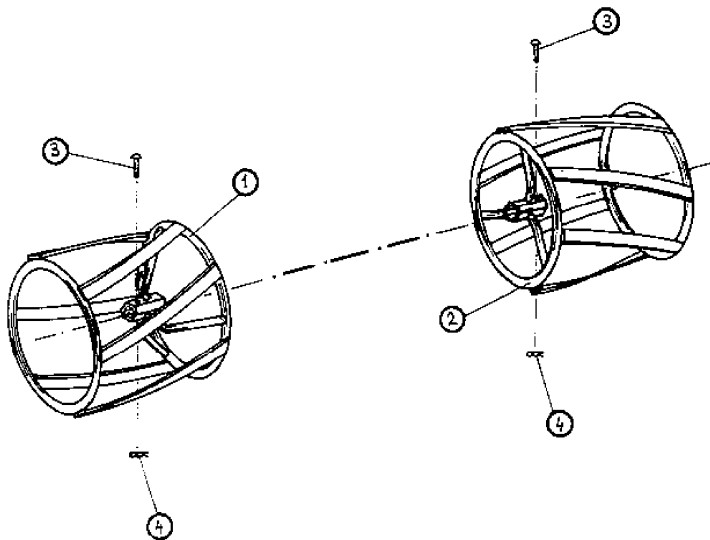


test



Section: DRUM ROTORS ART.NO 14-1961-11 SPIRAL ROTORS ART.NO 14-1962-

| Pos. | Quantity | Spare part No | Description | Kit | Notes | New |
|------|----------|---------------|---------------------|-----|-------|-----|
| | | 1961 | 1962 | | | |
| 0 | 1 | ..14-1961-11 | Drum rotors assy | | | |
| 1 | 1 | 1483-0216-01 | Roller bigger-L.H. | | | |
| 2 | 9 | 1483-0215-01 | Blade-L.H. | | | |
| 3 | 2 | 1483-0211-01 | Pin | | | |
| 4 | 2 | 9598-0002-02 | Pin lock | | | |
| 5 | 1 | 1483-0217-01 | Roller smaller-L.H. | | | |
| 6 | 1 | 1483-0212-01 | Roller bigger-R.H. | | | |
| 7 | 9 | 1483-0213-01 | Blade-R.H. | | | |
| 8 | 1 | 1483-0214-01 | Roller smaller-R.H. | | | |
| 9 | 24 | 9997-0820-16 | Screw | | | |
| 10 | 24 | 9799-0831-02 | Nut | | | |
| 11 | 24 | 9699-0028-02 | Flat washer | | | |
| A00 | 1 | ..14-1962-11 | Spiral rotors assy | | | |
| A01 | 1 | 1483-0218-01 | Spiral rotor-L.H. | | | |
| A02 | 1 | 1483-0219-01 | Spiral rotor-R.H. | | | |
| A03 | 2 | 1483-0239-01 | Pin | | | |
| A04 | 2 | 9598-0002-02 | Pin lock | | | |

test